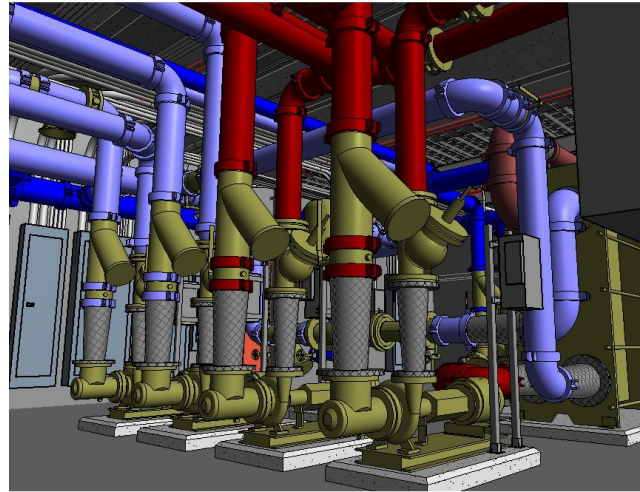
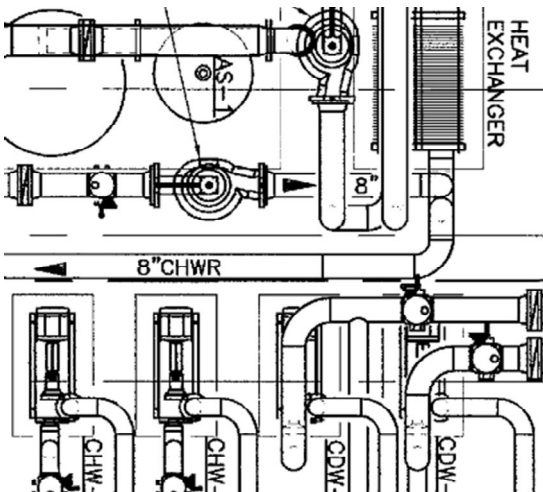
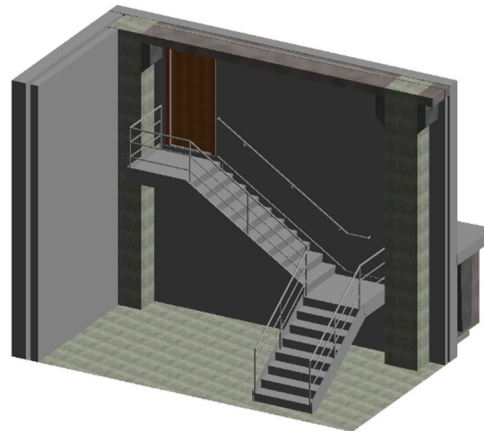
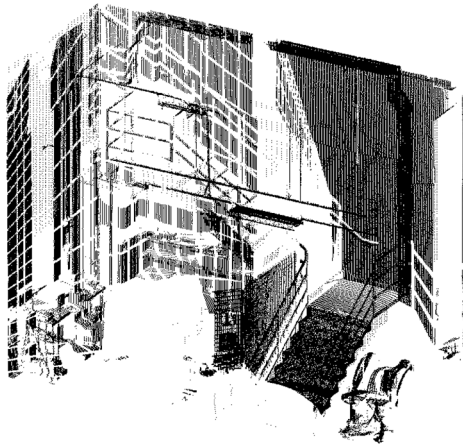


PACE Collaborative offers a full range of BIM services spanning from the use of BIM during design and construction all the way to facility's management with the integration of product specifications into the model. Some of the services we provide are:

CAD Conversion & 3D Modeling - Converting 2D CAD drawings to a 3D Model.

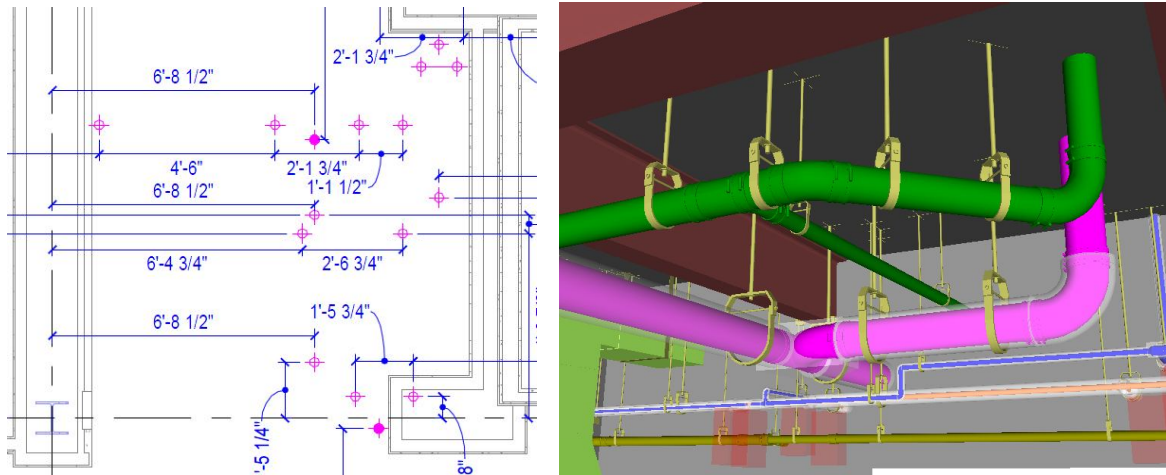


Point Cloud Conversion - we can gather site information through a laser scan and convert the point cloud information to a useful building information model comprised of architecture, structure and the MEP systems.

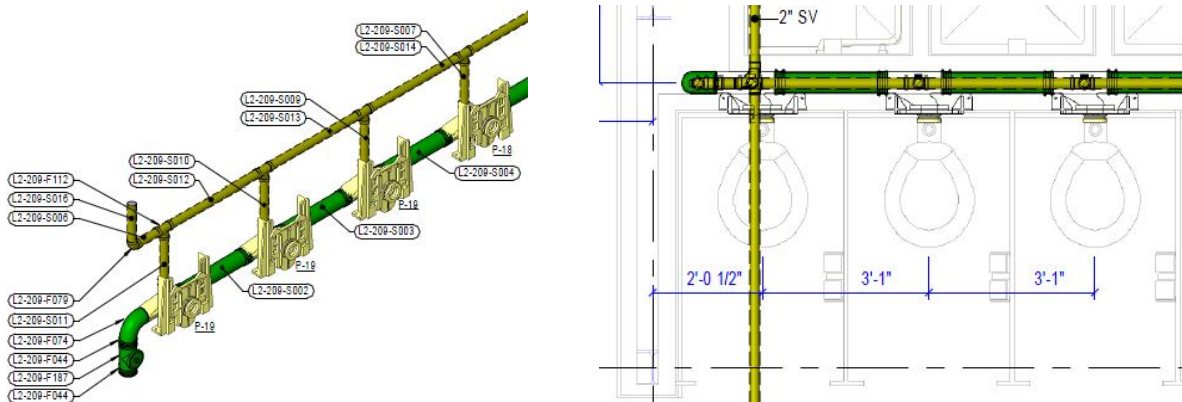


Spatial Coordination – with the use of tools such as Revit and Navisworks, 3D models can be analyzed for areas where conflicts between trades may occur.

Sleeve and Hanger Drawings – extracting embed and hanger locations from the coordinated model allows the use of tools like the Trimble Total Station for installation of devices in the field.



MEP Shop Drawings – Our 3D models are used for providing exact locations of MEP systems during field installation based on relative control lines and elevations.



BIM Project Management – We can host virtual construction meetings both onsite and web-based depending on the project's needs, along with detailed clash detection reports for team review.

PACE Collaborative has successfully completed over 6 million sq. ft. of BIM modeling services.